



Red Hat OpenStack Platform 11

Network Functions Virtualization Planning and Prerequisites Guide

Planning for NFV in Red Hat OpenStack Platform

Red Hat OpenStack Platform 11 Network Functions Virtualization Planning and Prerequisites Guide

Planning for NFV in Red Hat OpenStack Platform

OpenStack Team
rhos-docs@redhat.com

Legal Notice

Copyright © 2019 Red Hat, Inc.

The text of and illustrations in this document are licensed by Red Hat under a Creative Commons Attribution–Share Alike 3.0 Unported license ("CC-BY-SA"). An explanation of CC-BY-SA is available at

<http://creativecommons.org/licenses/by-sa/3.0/>

. In accordance with CC-BY-SA, if you distribute this document or an adaptation of it, you must provide the URL for the original version.

Red Hat, as the licensor of this document, waives the right to enforce, and agrees not to assert, Section 4d of CC-BY-SA to the fullest extent permitted by applicable law.

Red Hat, Red Hat Enterprise Linux, the Shadowman logo, JBoss, OpenShift, Fedora, the Infinity logo, and RHCE are trademarks of Red Hat, Inc., registered in the United States and other countries.

Linux ® is the registered trademark of Linus Torvalds in the United States and other countries.

Java ® is a registered trademark of Oracle and/or its affiliates.

XFS ® is a trademark of Silicon Graphics International Corp. or its subsidiaries in the United States and/or other countries.

MySQL ® is a registered trademark of MySQL AB in the United States, the European Union and other countries.

Node.js ® is an official trademark of Joyent. Red Hat Software Collections is not formally related to or endorsed by the official Joyent Node.js open source or commercial project.

The OpenStack ® Word Mark and OpenStack logo are either registered trademarks/service marks or trademarks/service marks of the OpenStack Foundation, in the United States and other countries and are used with the OpenStack Foundation's permission. We are not affiliated with, endorsed or sponsored by the OpenStack Foundation, or the OpenStack community.

All other trademarks are the property of their respective owners.

Abstract

This guide contains important planning information that should be considered prior to setting up and installing an NFV-enabled Red Hat OpenStack Platform environment.

Table of Contents

CHAPTER 1. INTRODUCTION	3
CHAPTER 2. SOFTWARE REQUIREMENTS	4
2.1. SUPPORTED CONFIGURATIONS FOR NFV DEPLOYMENTS	4
2.2. SUPPORTED DRIVERS	4
2.3. COMPATIBILITY WITH THIRD PARTY SOFTWARE	4
CHAPTER 3. HARDWARE REQUIREMENTS	5
3.1. TESTED NICS	5
3.2. DISCOVERING YOUR NUMA NODE TOPOLOGY WITH HARDWARE INTROSPECTION	5
3.3. REVIEW BIOS SETTINGS	9
CHAPTER 4. NETWORK CONSIDERATIONS	10
CHAPTER 5. PLANNING YOUR SR-IOV DEPLOYMENT	11
5.1. HARDWARE PARTITIONING FOR A NFV SR-IOV DEPLOYMENT	11
5.2. TOPOLOGY OF A NFV SR-IOV DEPLOYMENT	11
5.2.1. NFV SR-IOV without HCI	12
5.2.2. NFV SR-IOV with HCI	13
CHAPTER 6. PLANNING YOUR OVS-DPDK DEPLOYMENT	15
6.1. HOW OVS-DPDK USES CPU PARTITIONING AND NUMA TOPOLOGY	15
6.2. UNDERSTANDING OVS-DPDK PARAMETERS	15
6.2.1. CPU Parameters	16
6.2.2. Memory Parameters	17
6.2.3. Networking Parameters	19
6.2.4. Other Parameters	19
6.3. TWO NUMA NODE EXAMPLE OVS-DPDK DEPLOYMENT	20
6.4. TOPOLOGY OF AN NFV OVS-DPDK DEPLOYMENT	21
CHAPTER 7. PERFORMANCE	24
CHAPTER 8. FINDING MORE INFORMATION	25

CHAPTER 1. INTRODUCTION

Network Functions Virtualization (NFV) is a software-based solution that helps Communication Service Providers (CSPs) move beyond traditional, proprietary hardware to achieve greater efficiency and agility.

For a high level overview of the NFV concepts, see the [Network Functions Virtualization Product Guide](#).

For information on configuring SR-IOV and OVS-DPDK with Red Hat OpenStack Platform 11 director, see the [Network Functions Virtualization Configuration Guide](#).

CHAPTER 2. SOFTWARE REQUIREMENTS

This section describes the supported configurations and drivers, and subscription details necessary for NFV.

To install Red Hat OpenStack Platform 11, you must register all systems in the OpenStack environment using the Red Hat Subscription Manager and subscribe to the required channels. See [Registering your System](#) for details.

2.1. SUPPORTED CONFIGURATIONS FOR NFV DEPLOYMENTS

Red Hat OpenStack Platform 11 supports NFV deployments for SR-IOV and OVS-DPDK installation using the director. Using the composable roles feature available in the Red Hat OpenStack Platform 11 director, you can create custom deployment roles. Hyper-converged Infrastructure (HCI), available with limited support for this release, allows you to co-locate the Compute node with Red Hat Ceph Storage nodes for distributed NFV. To increase the performance in HCI, CPU pinning is used. The HCI model allows more efficient management in the NFV use cases. This release also provides OpenDaylight and Real-Time KVM as technology preview features. OpenDaylight is an open source modular, multi-protocol controller for Software-Defined Network (SDN) deployments. For more information on the support scope for features marked as technology previews, see [Technology Preview](#)

2.2. SUPPORTED DRIVERS

For a complete list of supported drivers, see [Component, Plug-In, and Driver Support in Red Hat OpenStack Platform](#).

For a list of NICs tested for NFV deployments with Red Hat OpenStack, see [Tested NICs](#).

2.3. COMPATIBILITY WITH THIRD PARTY SOFTWARE

For a complete list of products and services tested, supported, and certified to perform with Red Hat technologies (Red Hat OpenStack Platform), see [Third Party Software compatible with Red Hat OpenStack Platform](#). You can filter the list by product version and software category.

For a complete list of products and services tested, supported, and certified to perform with Red Hat technologies (Red Hat Enterprise Linux), see [Third Party Software compatible with Red Hat Enterprise Linux](#). You can filter the list by product version and software category.

CHAPTER 3. HARDWARE REQUIREMENTS

This section describes the hardware details necessary for NFV.

You can use [Red Hat Technologies Ecosystem](#) to check for a list of certified hardware, software, cloud provider, component by choosing the category and then selecting the product version.

For a complete list of the certified hardware for Red Hat OpenStack Platform, see [Red Hat OpenStack Platform certified hardware](#).

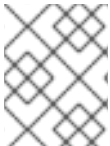
3.1. TESTED NICS

The following hardware have been tested to work with the Red Hat OpenStack Platform 11 NFV deployment:

SR-IOV

Red Hat tested the SR-IOV 10G for Mellanox and Qlogic. Red Hat also tested the following Intel cards:

- 82598, 82599, X520, X540, X550, X710, XL710, X722.



NOTE

Red Hat has verified original Intel NICs only and not any other NICs that use the same drivers.

OVS-DPDK

Red Hat tested the following NICs for OVS-DPDK:

Intel

82598, 82599, X520, X540, X550, X710, XL710, X722.

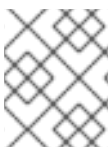


NOTE

Red Hat has verified original Intel NICs only and not any other NICs that use the same drivers.

3.2. DISCOVERING YOUR NUMA NODE TOPOLOGY WITH HARDWARE INTROSPECTION

When you plan your deployment, you need to understand the NUMA topology of your Compute node to partition the CPU and memory resources for optimum performance. To determine the NUMA information, you can enable hardware introspection to retrieve this information from bare-metal nodes.



NOTE

You must install and configure the undercloud before you can retrieve NUMA information through hardware introspection. See the [Director Installation and Usage Guide](#) for details.

The Bare Metal service hardware inspection extras (**inspection_extras**) is enabled by default to retrieve hardware details. You can use these hardware details to configure your overcloud. See [Configuring the Director](#) for details on the **inspection_extras** parameter in the **undercloud.conf** file.

For example, the **numa_topology** collector is part of these hardware inspection extras and includes the following information for each NUMA node:

- RAM (in kilobytes)
- Physical CPU cores and their sibling threads
- NICs associated with the NUMA node

Use the **openstack baremetal introspection data save _UUID_ | jq .numa_topology** command to retrieve this information, with the *UUID* of the bare-metal node.

The following example shows the retrieved NUMA information for a bare-metal node:

```
{
  "cpus": [
    {
      "cpu": 1,
      "thread_siblings": [
        1,
        17
      ],
      "numa_node": 0
    },
    {
      "cpu": 2,
      "thread_siblings": [
        10,
        26
      ],
      "numa_node": 1
    },
    {
      "cpu": 0,
      "thread_siblings": [
        0,
        16
      ],
      "numa_node": 0
    },
    {
      "cpu": 5,
      "thread_siblings": [
        13,
        29
      ],
      "numa_node": 1
    },
    {
      "cpu": 7,
      "thread_siblings": [
        15,
        31
      ],
      "numa_node": 1
    }
  ],
}
```

```
{
  "cpu": 7,
  "thread_siblings": [
    7,
    23
  ],
  "numa_node": 0
},
{
  "cpu": 1,
  "thread_siblings": [
    9,
    25
  ],
  "numa_node": 1
},
{
  "cpu": 6,
  "thread_siblings": [
    6,
    22
  ],
  "numa_node": 0
},
{
  "cpu": 3,
  "thread_siblings": [
    11,
    27
  ],
  "numa_node": 1
},
{
  "cpu": 5,
  "thread_siblings": [
    5,
    21
  ],
  "numa_node": 0
},
{
  "cpu": 4,
  "thread_siblings": [
    12,
    28
  ],
  "numa_node": 1
},
{
  "cpu": 4,
  "thread_siblings": [
    4,
    20
  ],
  "numa_node": 0
},
}
```

```
{
  "cpu": 0,
  "thread_siblings": [
    8,
    24
  ],
  "numa_node": 1
},
{
  "cpu": 6,
  "thread_siblings": [
    14,
    30
  ],
  "numa_node": 1
},
{
  "cpu": 3,
  "thread_siblings": [
    3,
    19
  ],
  "numa_node": 0
},
{
  "cpu": 2,
  "thread_siblings": [
    2,
    18
  ],
  "numa_node": 0
}
],
"ram": [
  {
    "size_kb": 66980172,
    "numa_node": 0
  },
  {
    "size_kb": 67108864,
    "numa_node": 1
  }
],
"nics": [
  {
    "name": "ens3f1",
    "numa_node": 1
  },
  {
    "name": "ens3f0",
    "numa_node": 1
  },
  {
    "name": "ens2f0",
    "numa_node": 0
  }
],
```

```
{
  {
    "name": "ens2f1",
    "numa_node": 0
  },
  {
    "name": "ens1f1",
    "numa_node": 0
  },
  {
    "name": "ens1f0",
    "numa_node": 0
  },
  {
    "name": "eno4",
    "numa_node": 0
  },
  {
    "name": "eno1",
    "numa_node": 0
  },
  {
    "name": "eno3",
    "numa_node": 0
  },
  {
    "name": "eno2",
    "numa_node": 0
  }
}
]
```

3.3. REVIEW BIOS SETTINGS

The following listing describes the required BIOS settings for NFV:

- **C3 Power State** - Disabled.
- **C6 Power State** - Disabled.
- **MLC Streamer** - Enabled.
- **MLC Spacial Prefetcher** - Enabled.
- **DCU Data Prefetcher** - Enabled.
- **DCA** - Enabled.
- **CPU Power and Performance** - Performance.
- **Memory RAS and Performance Config** → **NUMA Optimized** - Enabled.
- **Turbo Boost** - Disabled.

CHAPTER 4. NETWORK CONSIDERATIONS

The undercloud host requires at least the following networks:

- Provisioning network - Provides DHCP and PXE boot functions to help discover bare-metal systems for use in the overcloud.
- External network - A separate network for remote connectivity to all nodes. The interface connecting to this network requires a routable IP address, either defined statically, or dynamically through an external DHCP service.

The minimal overcloud network configuration includes:

- Single NIC configuration - One NIC for the Provisioning network on the native VLAN and tagged VLANs that use subnets for the different overcloud network types.
- Dual NIC configuration - One NIC for the Provisioning network and the other NIC for the External network.
- Dual NIC configuration - One NIC for the Provisioning network on the native VLAN and the other NIC for tagged VLANs that use subnets for the different overcloud network types.
- Multiple NIC configuration - Each NIC uses a subnet for a different overcloud network type.

For more information on the networking requirements, see [Networking Requirements](#).

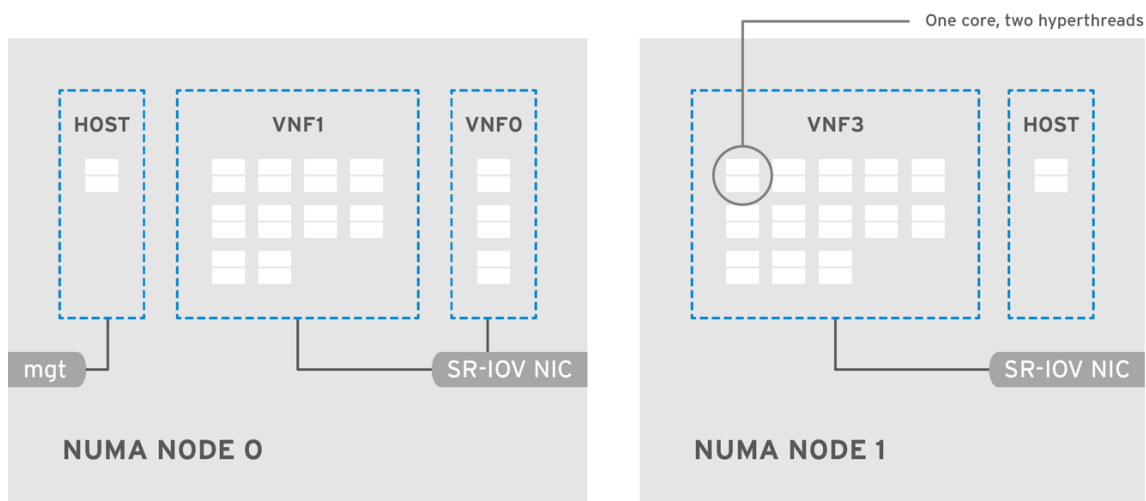
CHAPTER 5. PLANNING YOUR SR-IOV DEPLOYMENT

To optimize your SR-IOV deployment for NFV, you should understand how to set the individual OVS-DPDK parameters based on your Compute node hardware.

See [Discovering Your NUMA Node Topology](#) to evaluate your hardware impact on the SR-IOV parameters.

5.1. HARDWARE PARTITIONING FOR A NFV SR-IOV DEPLOYMENT

For SR-IOV, to achieve high performance, you need to partition the resources between the host and the guest.

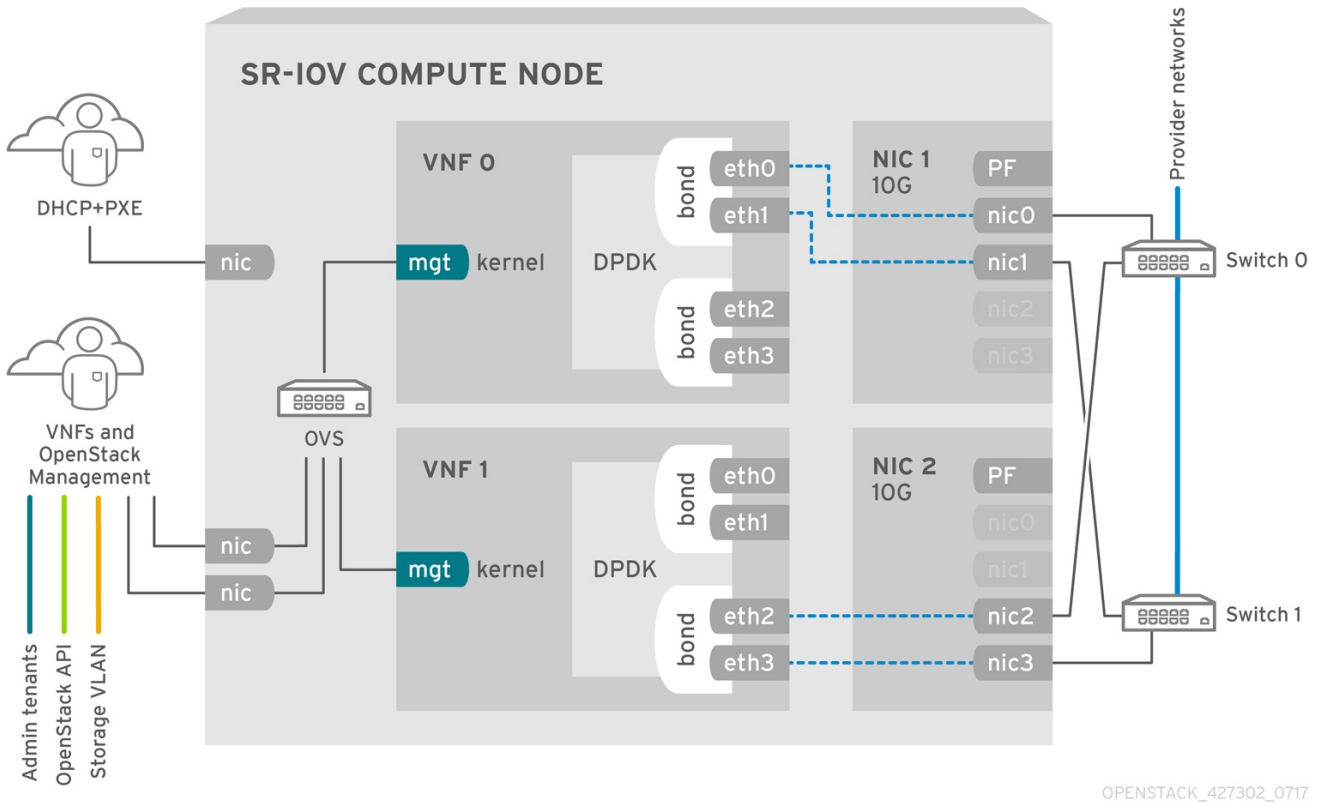


OPENSTACK_464931_0118

A typical topology includes 14 cores per NUMA node on dual socket Compute nodes. Both hyper-threading (HT) and non-HT cores are supported. Each core has two sibling threads. One core is dedicated to the host on each NUMA node. The VNF handles the SR-IOV interface bonding. All the interrupt requests (IRQs) are routed on the host cores. The VNF cores are dedicated to the VNFs. They provide isolation from other VNFs as well as isolation from the host. Each VNF must use resources on a single NUMA node. The SR-IOV NICs used by the VNF must also be associated with that same NUMA node. This topology does not have a virtualization overhead. The host, OpenStack Networking (neutron) and Compute (nova) configuration parameters are exposed in a single file for ease, consistency and to avoid incoherence that is fatal to proper isolation, causing preemption and packet loss. The host and virtual machine isolation depend on a **tuned** profile, which takes care of the boot parameters and any OpenStack modifications based on the list of CPUs to isolate.

5.2. TOPOLOGY OF A NFV SR-IOV DEPLOYMENT

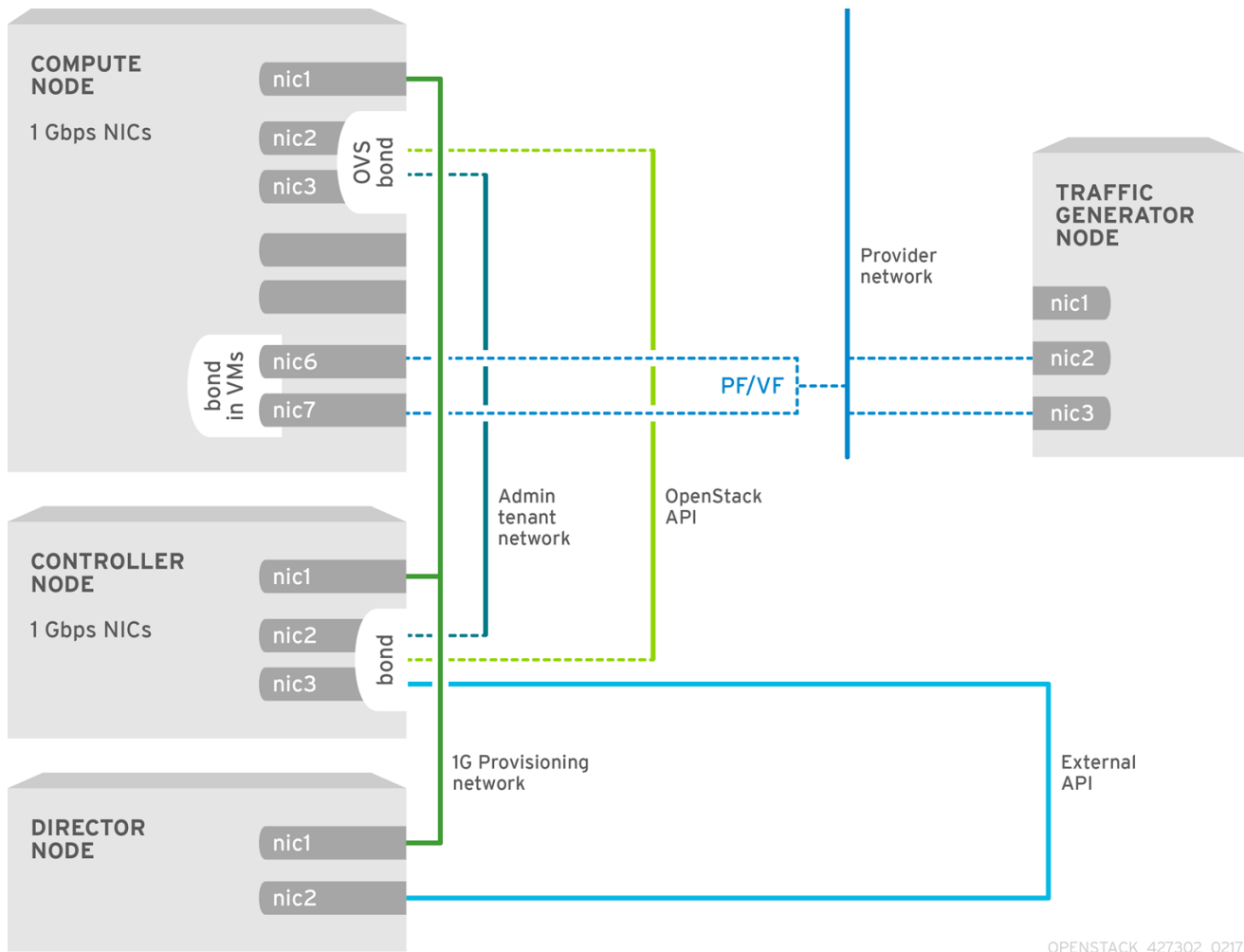
The following image has two VNFs each with the management interface represented by **mgt** and the data plane interfaces. The management interface manages the **ssh** access and so on. The data plane interfaces bond the VNFs to DPDK to ensure high availability (VNFs bond the data plane interfaces using the DPDK library). The image also has two redundant provider networks. The Compute node has two regular NICs bonded together and shared between the VNF management and the Red Hat OpenStack Platform API management.



The image shows a VNF that leverages DPDK at an application level and has access to SR-IOV VF/PFs, together for better availability or performance (depending on the fabric configuration). DPDK improves performance, while the VF/PF DPDK bonds provide support for failover (availability). The VNF vendor must ensure their DPDK PMD driver supports the SR-IOV card that is being exposed as a VF/PF. The management network uses OVS so the VNF sees a “mgt” network device using the standard virtIO drivers. Operators can use that device to initially connect to the VNF and ensure that their DPDK application bonds properly the two VF/PFs.

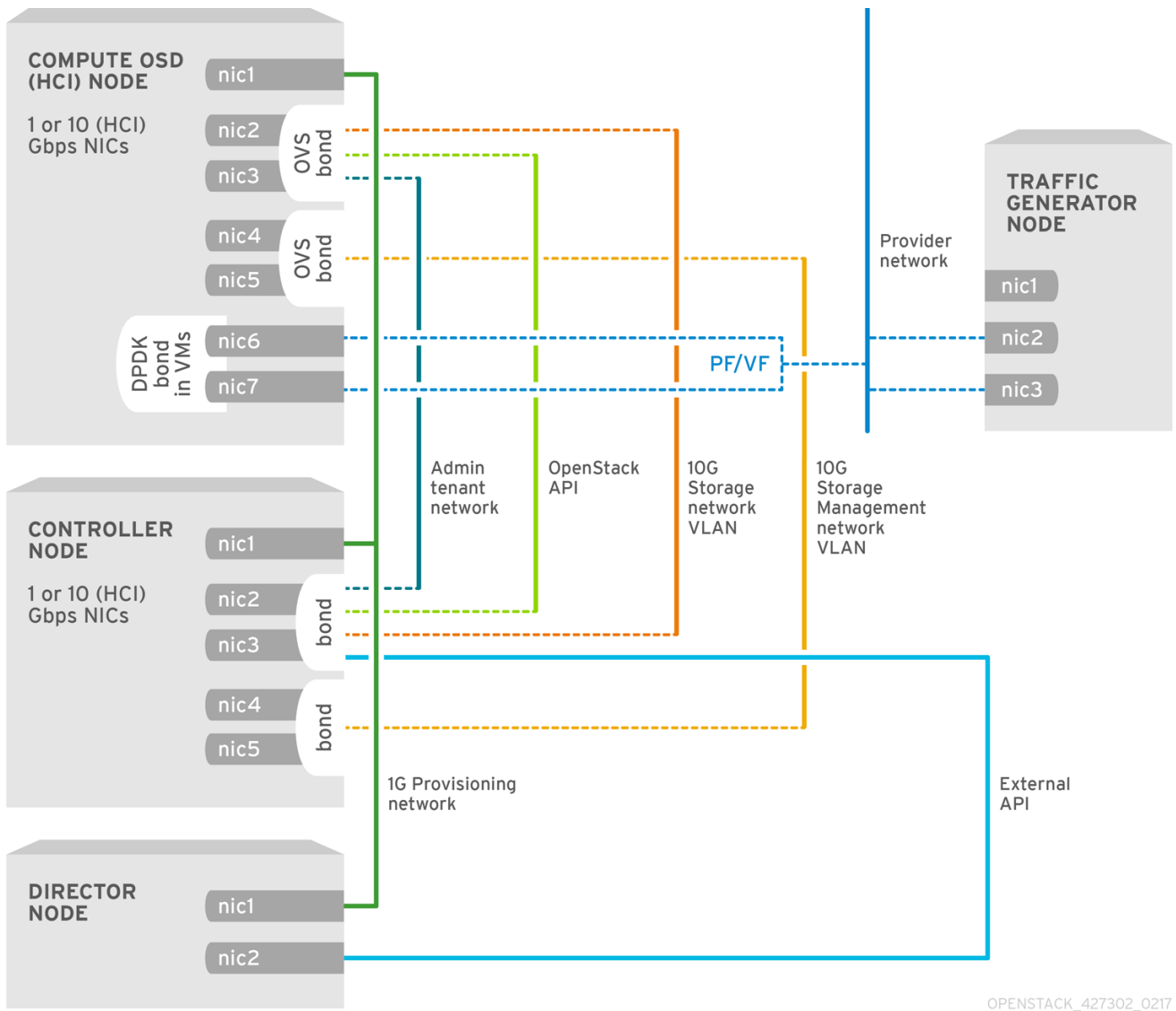
5.2.1. NFV SR-IOV without HCI

The following image shows the topology for SR-IOV without HCI for the NFV use case. It consists of Compute and Controller nodes with 1 Gbps NICs, and the Director node.



5.2.2. NFV SR-IOV with HCI

The following image shows the topology for SR-IOV with HCI for the NFV use case. It consists of Compute OSD node with HCI and a Controller node with 1 or 10 Gbps NICs, and the Director node.



OPENSTACK_427302_0217

CHAPTER 6. PLANNING YOUR OVS-DPDK DEPLOYMENT

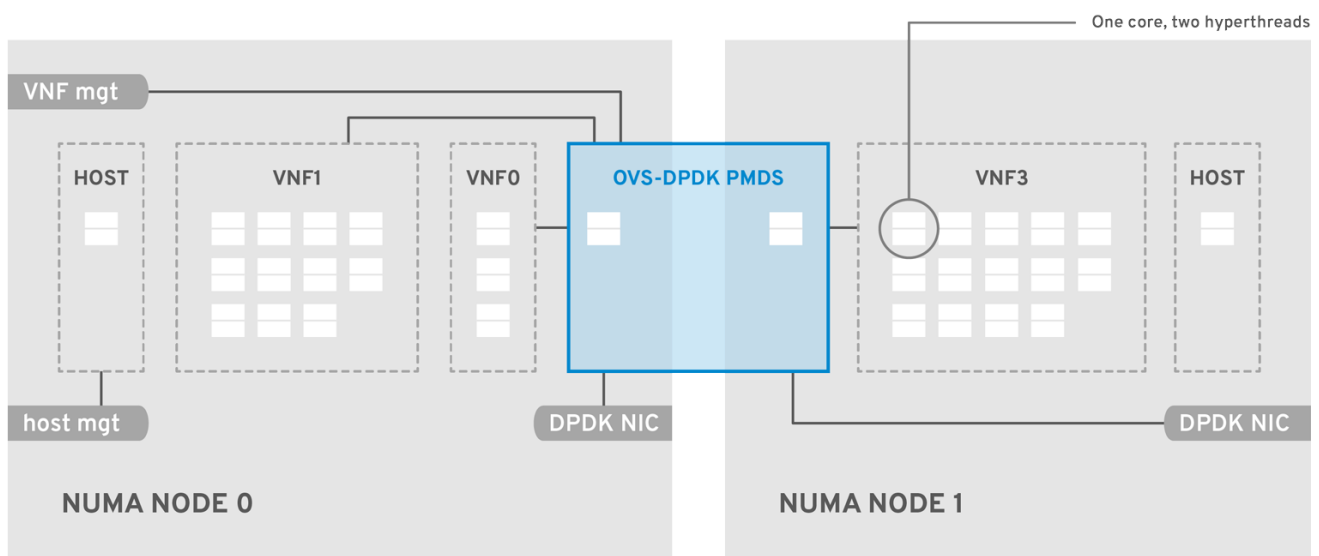
To optimize your OVS-DPDK deployment for NFV, you should understand how OVS-DPDK uses the Compute node hardware (CPU, NUMA nodes, memory, NICs) and the considerations for determining the individual OVS-DPDK parameters based on your Compute node.

See [NFV Performance Considerations](#) for a high-level introduction to CPUs and NUMA topology.

6.1. HOW OVS-DPDK USES CPU PARTITIONING AND NUMA TOPOLOGY

OVS-DPDK partitions the hardware resources for host, guests, and OVS-DPDK itself. The OVS-DPDK Poll Mode Drivers (PMDs) run DPDK active loops, which require dedicated cores. This means a list of CPUs and Huge Pages are dedicated to OVS-DPDK.

A sample partitioning includes 16 cores per NUMA node on dual socket Compute nodes. The traffic requires additional NICs since the NICs cannot be shared between the host and OVS-DPDK.



OPENSTACK_9_0219



NOTE

DPDK PMD threads must be reserved on both NUMA nodes even if a NUMA node does not have an associated DPDK NIC.

OVS-DPDK performance also depends on reserving a block of memory local to the NUMA node. Use NICs associated with the same NUMA node that you use for memory and CPU pinning. Also ensure both interfaces in a bond are from NICs on the same NUMA node.

6.2. UNDERSTANDING OVS-DPDK PARAMETERS

This section describes how OVS-DPDK uses parameters within the director `network_environment.yaml` HEAT templates to configure the CPU and memory for optimum performance. Use this information to evaluate the hardware support on your Compute nodes and how best to partition that hardware to optimize your OVS-DPDK deployment.

**NOTE**

Always pair CPU sibling threads (logical CPUs) together for the physical core when allocating CPU cores.

See [Discovering Your NUMA Node Topology](#) to determine the CPU and NUMA nodes on your Compute nodes. You use this information to map CPU and other parameters to support the host, guest instance, and OVS-DPDK process needs.

6.2.1. CPU Parameters

OVS-DPDK uses the following CPU partitioning parameters:

NeutronDpdkCoreList

Provides the CPU cores that are used for the DPDK poll mode drivers (PMD). Choose CPU cores that are associated with the local NUMA nodes of the DPDK interfaces. **NeutronDpdkCoreList** is used for the **pmd-cpu-mask** value in Open vSwitch.

- Pair the sibling threads together.
- Exclude all cores from the **HostCpusList**
- Avoid allocating the logical CPUs (both sibling threads) of the first physical core on both NUMA nodes as these should be used for the **HostCpusList** parameter.
- Performance depends on the number of physical cores allocated for this PMD Core list. On the NUMA node which is associated with DPDK NIC, allocate the required cores.
- For NUMA nodes with a DPDK NIC:
 - Determine the number of physical cores required based on the performance requirement and include all the sibling threads (logical CPUs) for each physical core.
- For NUMA nodes without DPDK NICs:
 - Allocate the sibling threads (logical CPUs) of one physical core (excluding the first physical core of the NUMA node). You need a minimal DPDK poll mode driver on the NUMA node even without DPDK NICs present to avoid failures in creating guest instances.

**NOTE**

DPDK PMD threads must be reserved on both NUMA nodes even if a NUMA node does not have an associated DPDK NIC.

NovaVcpuPinSet

Sets cores for CPU pinning. The Compute node uses these cores for guest instances.

NovaVcpuPinSet is used as the **vcpu_pin_set** value in the **nova.conf** file.

- Exclude all cores from the **NeutronDpdkCoreList** and the **HostCpusList**.
- Include all remaining cores.
- Pair the sibling threads together.

HostIsolatedCoreList

A set of CPU cores isolated from the host processes. This parameter is used as the **isolated_cores** value in the **cpu-partitioning-variable.conf** file for the **tuned-profiles-cpu-partitioning** component.

- Match the list of cores in **NeutronDpdkCoreList** and **NovaVcpuPinSet**.
- Pair the sibling threads together.

HostCpusList

Provides CPU cores for non data path OVS-DPDK processes, such as handler and revalidator threads. This parameter has no impact on overall data path performance on multi-NUMA node hardware. This parameter is used for the **dpdk-lcore-mask** value in Open vSwitch, and these cores are shared with the host.

- Allocate the first physical core (and sibling thread) from each NUMA node (even if the NUMA node has no associated DPDK NIC).
- These cores must be mutually exclusive from the list of cores in **NeutronDpdkCoreList** and **NovaVcpuPinSet**.

6.2.2. Memory Parameters

OVS-DPDK uses the following memory parameters:

NeutronDpdkMemoryChannels

Maps memory channels in the CPU per NUMA node. The **NeutronDpdkMemoryChannels** parameter is used by Open vSwitch as the **other_config:dpdk-extra="-n <value>"** value.

- Use **dmidecode -t memory** to determine the number of memory channels available.
- Use **ls /sys/devices/system/node/node* -d** to determine the number of NUMA nodes.
- Divide the number of memory channels available by the number of NUMA nodes.

NovaReservedHostMemory

Reserves memory in MB for tasks on the host. This value is used by the Compute node as the **reserved_host_memory_mb** value in **nova.conf**.

- Use the static recommended value of 4096 MB.

NeutronDpdkSocketMemory

Specifies the amount of memory in MB to pre-allocate from the hugepage pool, per NUMA node, for DPDK NICs. This value is used by Open vSwitch as the **other_config:dpdk-socket-mem** value.

- Provide as a comma-separated list. The **NeutronDpdkSocketMemory** value is calculated from the MTU value of each DPDK NIC on the NUMA node.
- Round each MTU value to the nearest 1024 bytes (**ROUNDUP_PER_MTU**).
- For a NUMA node without a DPDK NIC, use the static recommendation of 1024 MB (1GB)

- The following equation approximates the value for **NeutronDpdkSocketMemory**:
 - $\text{MEMORY_REQD_PER_MTU} = (\text{ROUNDUP_PER_MTU} + 800) * (4096 * 64)$ Bytes
 - 800 is the overhead value.
 - $4096 * 64$ is the number of packets in the mempool.
- Add the MEMORY_REQD_PER_MTU for each of the MTU values set on the NUMA node and add another 512 MB as buffer. Round the value up to a multiple of 1024.

Sample Calculation - MTU 2000 and MTU 9000

DPDK NICs dpdk0 and dpdk1 are on the same NUMA node 0 and configured with MTUs 9000 and 2000 respectively. The sample calculation to derive the memory required is as follows:

1. Round off the MTU values to the nearest 1024 bytes.

```
The MTU value of 9000 becomes 9216 bytes.
The MTU value of 2000 becomes 2048 bytes.
```

2. Calculate the required memory for each MTU value based on these rounded byte values.

```
Memory required for 9000 MTU = (9216 + 800) * (4096*64) = 2625634304
Memory required for 2000 MTU = (2048 + 800) * (4096*64) = 746586112
```

3. Calculate the combined total memory required, in bytes.

```
2625634304 + 746586112 + 536870912 = 3909091328 bytes.
```

This calculation represents (Memory required for MTU of 9000) + (Memory required for MTU of 2000) + (512 MB buffer).

4. Convert the total memory required into MB.

```
3909091328 / (1024*1024) = 3728 MB.
```

5. Round this value up to the nearest 1024.

```
3724 MB rounds up to 4096 MB.
```

6. Use this value to set **NeutronDpdkSocketMemory**.

```
NeutronDpdkSocketMemory: "4096, 1024"
```

Sample Calculation - MTU 2000

DPDK NICs dpdk0 and dpdk1 are on the same NUMA node 0 and configured with MTUs 2000 and 2000 respectively. The sample calculation to derive the memory required is as follows:

1. Round off the MTU values to the nearest 1024 bytes.

```
The MTU value of 2000 becomes 2048 bytes.
```

- Calculate the required memory for each MTU value based on these rounded byte values.

```
Memory required for 2000 MTU = (2048 + 800) * (4096*64) = 746586112
```

- Calculate the combined total memory required, in bytes.

```
746586112 + 536870912 = 1283457024 bytes.
```

This calculation represents (Memory required for MTU of 2000) + (512 MB buffer).

- Convert the total memory required into MB.

```
1283457024 / (1024*1024) = 1224 MB.
```

- Round this value up to the nearest 1024.

```
1224 MB rounds up to 2048 MB.
```

- Use this value to set **NeutronDpdkSocketMemory**.

```
NeutronDpdkSocketMemory: "2048, 1024"
```

6.2.3. Networking Parameters

NeutronDpdkDriverType

Sets the driver type used by DPDK. Use the default of **vfio-pci**.

NeutronDatapathType

Datapath type for OVS bridges. DPDK uses the default value of **netdev**.

NeutronVhostuserSocketDir

Sets the vhost-user socket directory for OVS. Use **/var/lib/vhost_sockets** for vhost client mode.

6.2.4. Other Parameters

NovaSchedulerDefaultFilters

Provides an ordered list of filters that the Compute node uses to find a matching Compute node for a requested guest instance.

ComputeKernelArgs

Provides multiple kernel arguments to **/etc/default/grub** for the Compute node at boot time. Add the following based on your configuration:

- hugepagesz**: Sets the size of the huge pages on a CPU. This value can vary depending on the CPU hardware. Set to 1G for OVS-DPDK deployments (**default_hugepagesz=1GB hugepagesz=1G**). Check for the **pdpe1gb** CPU flag to ensure your CPU supports 1G.

```
lshw -class processor | grep pdpe1gb
```

- hugepages count**: Sets the number of huge pages available. This value depends on the amount of host memory available. Use most of your available memory (excluding **NovaReservedHostMemory**). You must also configure the huge pages count value within

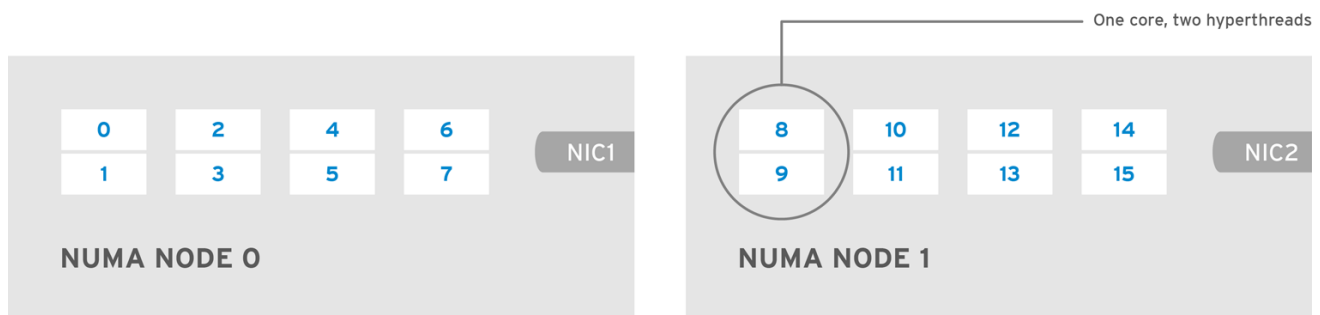
the OpenStack flavor associated with your Compute nodes.

- **iommu**: For Intel CPUs, add `"intel_iommu=on iommu=pt"`
- **isolcpus**: Sets the CPU cores to be tuned. This value matches **HostIsolatedCoreList**.

6.3. TWO NUMA NODE EXAMPLE OVS-DPDK DEPLOYMENT

This sample Compute node includes two NUMA nodes as follows:

- NUMA 0 has cores 0-7. The sibling thread pairs are (0,1), (2,3), (4,5), and (6,7)
- NUMA 1 has cores 8-15. The sibling thread pairs are (8,9), (10,11), (12,13), and (14,15).
- Each NUMA node connects to a physical NIC (NIC1 on NUMA 0 and NIC2 on NUMA 1).



OPENSTACK_453316_0717



NOTE

Reserve the first physical cores (both thread pairs) on each NUMA node (0,1 and 8,9) for non data path DPDK processes (**HostCpusList**).

This example also assumes a 1500 MTU configuration, so the **OvsDpdkSocketMemory** is the same for all use cases:

```
OvsDpdkSocketMemory: "1024, 1024"
```

NIC 1 for DPDK, with one physical core for PMD

In this use case, we allocate one physical core on NUMA 0 for PMD. We must also allocate one physical core on NUMA 1, even though there is no DPDK enabled on the NIC for that NUMA node. The remaining cores (not reserved for **HostCpusList**) are allocated for guest instances. The resulting parameter settings are:

```
NeutronDpdkCoreList: "2, 3, 10, 11"
NovaVcpuPinSet: "4, 5, 6, 7, 12, 13, 14, 15"
```

NIC 1 for DPDK, with two physical cores for PMD

In this use case, we allocate two physical cores on NUMA 0 for PMD. We must also allocate one physical core on NUMA 1, even though there is no DPDK enabled on the NIC for that NUMA node. The remaining cores (not reserved for **HostCpusList**) are allocated for guest instances. The resulting parameter settings are:


```
NeutronDpdkCoreList: "2, 3, 4, 5, 10, 11"
NovaVcpuPinSet: "6, 7, 12, 13, 14, 15"
```

NIC 2 for DPDK, with one physical core for PMD

In this use case, we allocate one physical core on NUMA 1 for PMD. We must also allocate one physical core on NUMA 0, even though there is no DPDK enabled on the NIC for that NUMA node. The remaining cores (not reserved for **HostCpusList**) are allocated for guest instances. The resulting parameter settings are:

```
NeutronDpdkCoreList: "2, 3, 10, 11"
NovaVcpuPinSet: "4, 5, 6, 7, 12, 13, 14, 15"
```

NIC 2 for DPDK, with two physical cores for PMD

In this use case, we allocate two physical cores on NUMA 1 for PMD. We must also allocate one physical core on NUMA 0, even though there is no DPDK enabled on the NIC for that NUMA node. The remaining cores (not reserved for **HostCpusList**) are allocated for guest instances. The resulting parameter settings are:

```
NeutronDpdkCoreList: "2, 3, 10, 11, 12, 13"
NovaVcpuPinSet: "4, 5, 6, 7, 14, 15"
```

NIC 1 and NIC2 for DPDK, with two physical cores for PMD

In this use case, we allocate two physical cores on each NUMA node for PMD. The remaining cores (not reserved for **HostCpusList**) are allocated for guest instances. The resulting parameter settings are:

```
NeutronDpdkCoreList: "2, 3, 4, 5, 10, 11, 12, 13"
NovaVcpuPinSet: "6, 7, 14, 15"
```

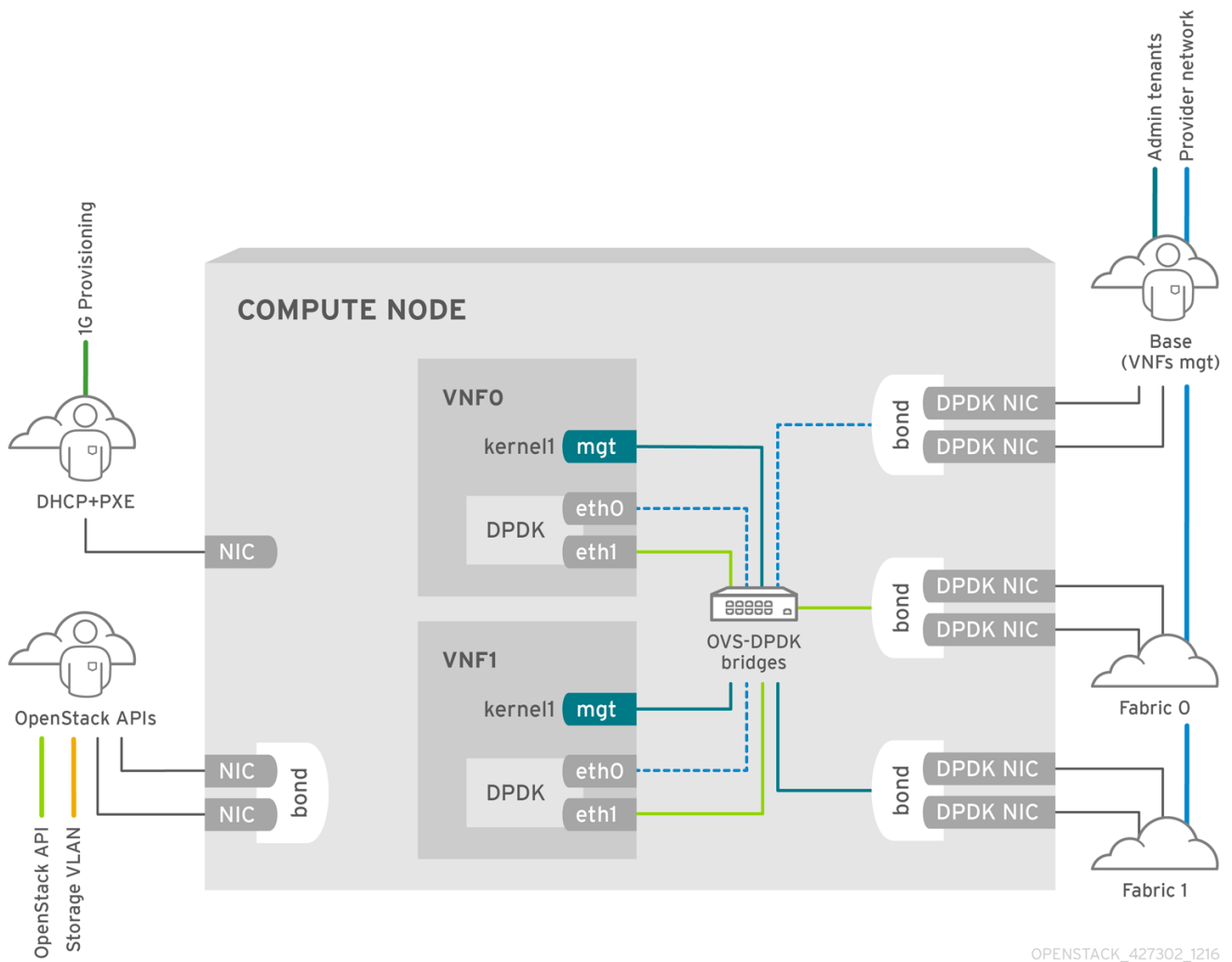


NOTE

Red Hat recommends using 1 physical core per NUMA node.

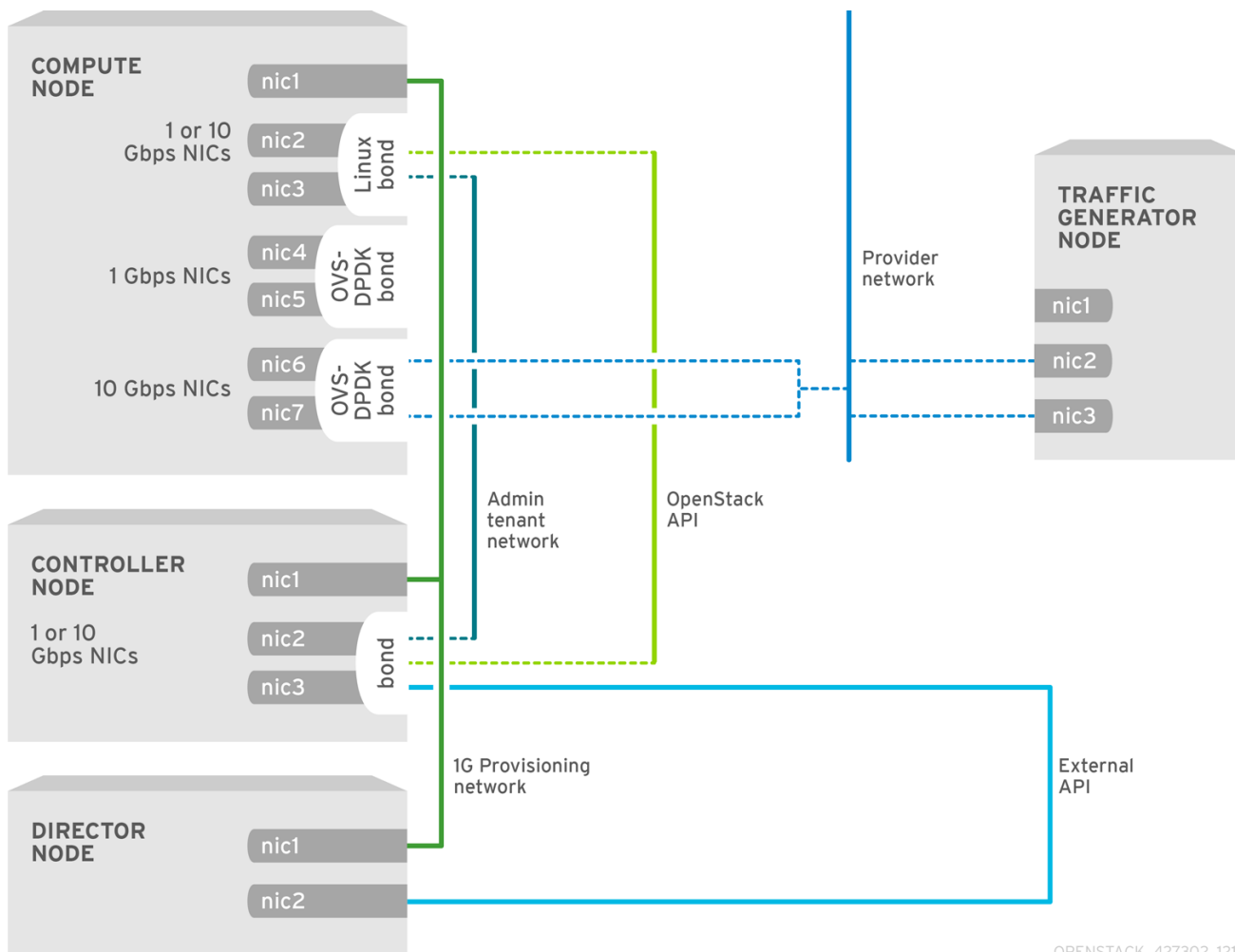
6.4. TOPOLOGY OF AN NFV OVS-DPDK DEPLOYMENT

This sample OVS-DPDK deployment consists of two VNFs each with two interfaces, namely, the management interface represented by **mgt** and the data plane interface. In the OVS-DPDK deployment, the VNFs run with inbuilt DPDK that supports the physical interface. OVS-DPDK takes care of the bonding at the vSwitch level. In an OVS-DPDK deployment, it is recommended that you **do not** mix kernel and OVS-DPDK NICs as it can lead to performance degradation. To separate the management (**mgt**) network, connected to the Base provider network for the virtual machine, you need to ensure you have additional NICs. The Compute node consists of two regular NICs for the OpenStack API management that can be reused by the Ceph API but cannot be shared with any OpenStack tenant.



NFV OVS-DPDK Topology

The following image shows the topology for OVS_DPDK for the NFV use case. It consists of Compute and Controller nodes with 1 or 10 Gbps NICs, and the Director node.



OPENSTACK_427302_1216

CHAPTER 7. PERFORMANCE

Red Hat OpenStack Platform 11 director configures the Compute nodes to enforce resource partitioning and fine tuning to achieve line rate performance for the guest VNFs. The key performance factors in the NFV use case are throughput, latency and jitter.

DPDK-accelerated OVS enables high performance packet switching between physical NICs and virtual machines. OVS 2.6 embeds support for DPDK 16.04 and includes support for **vhost-user** multiqueue allowing scalable performance. OVS-DPDK provides line rate performance for guest VNFs.

SR-IOV networking provides enhanced performance characteristics, including improved throughput for specific networks and virtual machines.

Other important features for performance tuning include huge pages, NUMA alignment, host isolation and CPU pinning. VNF flavors require huge pages for better performance. Host isolation and CPU pinning improve NFV performance and prevent spurious packet loss.

See [NFV Performance Considerations](#) for a high-level introduction to CPUs and NUMA topology.

CHAPTER 8. FINDING MORE INFORMATION

The following table includes additional Red Hat documentation for reference:

The Red Hat OpenStack Platform documentation suite can be found here: [Red Hat OpenStack Platform 11 Documentation Suite](#)

Table 8.1. List of Available Documentation

Component	Reference
Red Hat Enterprise Linux	<p>Red Hat OpenStack Platform is supported on Red Hat Enterprise Linux 7.3. For information on installing Red Hat Enterprise Linux, see the corresponding installation guide at: Red Hat Enterprise Linux.</p>
Red Hat OpenStack Platform	<p>To install OpenStack components and their dependencies, use the Red Hat OpenStack Platform director. The director uses a basic OpenStack installation as the <i>undercloud</i> to install, configure and manage the OpenStack nodes in the final <i>overcloud</i>. Be aware that you need one extra host machine for the installation of the undercloud, in addition to the environment necessary for the deployed overcloud. For detailed instructions, see Red Hat OpenStack Platform director Installation and Usage.</p> <p>For information on configuring advanced features for a Red Hat OpenStack Platform enterprise environment using the Red Hat OpenStack Platform director such as network isolation, storage configuration, SSL communication, and general configuration method, see Advanced Overcloud Customization.</p> <p>You can also manually install the Red Hat OpenStack Platform components, see Manual Installation Procedures.</p>
NFV Documentation	<p>For a high level overview of the NFV concepts, see the Network Functions Virtualization Product Guide.</p> <p>For information on configuring SR-IOV and OVS-DPDK with Red Hat OpenStack Platform 11 director, see the Network Functions Virtualization Configuration Guide.</p>